

Optimizer

PEOP700/1000/1200/1400



Product Features

Secure solar system, remote shutdown, reduce high voltage risk

Module-level MPPT, power generation increase 30%

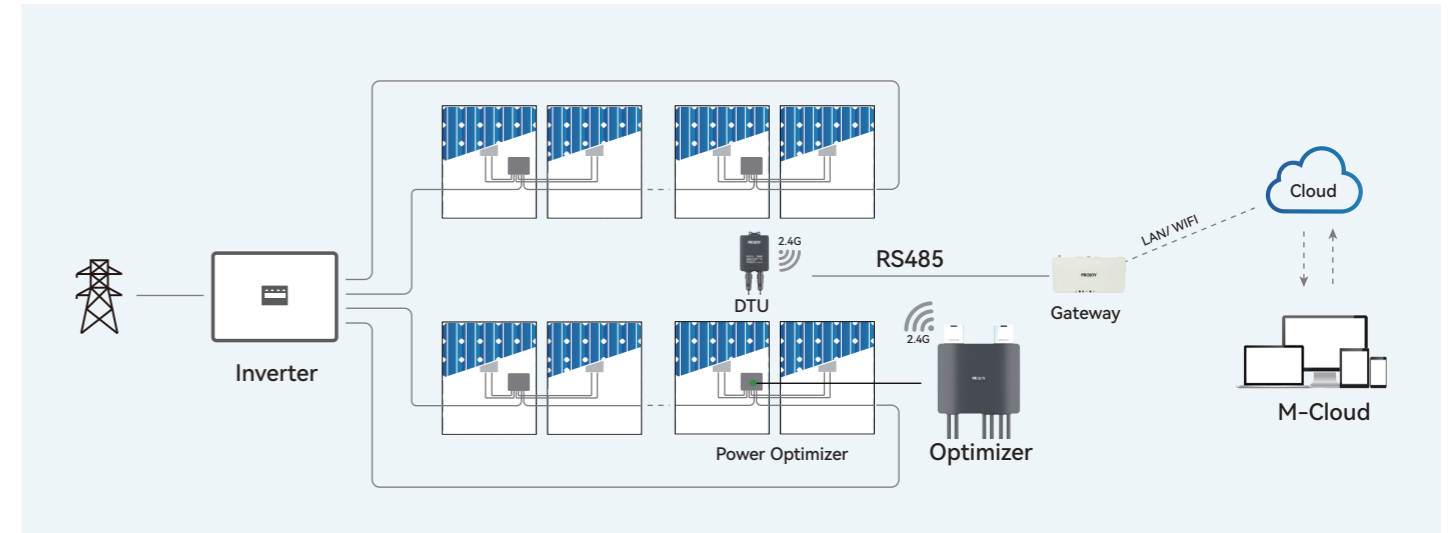
Real-time module level monitoring, timely warning and positioning the problem

Compatible with most mainstream PV modules and inverters

Clip/Screw fixing optional, flexible installation methods

25 years lifespan, perfectly matching solar modules

Diagram



Projoy Monitoring

Projoy M Cloud monitoring system offers 24/7 real-time monitoring to solar systems, allowing full monitoring control, remote firmware upgrades, site-specific settings and full readiness for flexibility services – ideal for a future-proof offering.



Web

<https://pro.projoy-electric.com/login>

APP



iOS

Android

Technical data

| Model | PEOP700 | PEOP1000 | PEOP1200 | PEOP1400 |
|--|--------------------|-------------|-------------|-------------|
| Input Data | | | | |
| Quantity of Input | 1 | 2 | 2 | 2 |
| Recommended Module Power (W) | 600-700 | 400-500 | 500-600 | 600-700 |
| Max. Input Power (W) | 700/700 | 500/500 | 600/600 | 700W/700 |
| MPPT Voltage Range per Input (V) | 13~60 | 13~60/13~60 | 13~60/13~60 | 13~60/13~60 |
| Max. Input Voltage per Input (V) | 60 | 60 | 60 | 60 |
| Max. Short-circuit Current per Input (A) | 21 | 15 | 17 | 21 |
| Max.Input Current per Input (A) | 20 | 14 | 16 | 20 |
| Output Data | | | | |
| Max.Output Power (W) | 700 | 1000 | 1200 | 1400 |
| Max. Output Current (A) | 20 | 14 | 16 | 20 |
| Output Voltage Range (V) | 0~60 | 0~120 | 0~120 | 0~120 |
| Full-load output Voltage Range (V) | 35~40 | 70~80 | 70~80 | 70~80 |
| Others | | | | |
| Peak Efficiency | 99.60% | 99.60% | 99.60% | 99.60% |
| Max.System Voltage | 1500V | 1500V | 1500V | 1500V |
| Dimensions(WxHxDmm) | 129*143*30 | | | |
| Weight | 985g | | | |
| Communication | 2.4GHz wireless | | | |
| Ingress Protection | IP68 | | | |
| Cooling | Natural convection | | | |
| Operating Ambient Temperature Rang | -40~+85°C | | | |
| Humidity | 0%~90% | | | |

Product Showcase

PEOP-700/1000/1200/1400



Technical data

| Model | PEOP-DTU |
|---------------------------|-----------------|
| Input Data | |
| Working Voltage | 12Vdc |
| Working Current | 20mA |
| Communication Data | |
| Data Input | 2.4GHz wireless |
| Data Output | RS485 |
| Wireless Range (to PEOP) | ≤50m |
| Connection No.of PEOP | 50 |
| Others | |
| Dimensions (WxHxD mm) | 88*120*38.5 |
| Working Temperature | -40~+85°C |
| Ingress protection | IP65 |

| | PEOP-GTW |
|--------------------------------|-------------|
| Input Data | |
| Working Voltage | AC 85~305V |
| Working Current | 50mA |
| Communication | |
| Data Input | RS485 |
| Data Output | RJ45, WiFi |
| Max Connection No. Of PEOP-DTU | 10 |
| Others | |
| Working Temperature | -25°C ~70°C |
| Dimensions (WxHxD mm) | 204*100*47 |

Product Showcase

Gateway



DTU

